

CONEXIONES FABRICA
RACCORDÉMENTS USINE
FACTORY CONNECTION

CONEXIONES CLIENTE
RACCORDÉMENTS CLIENT
CONNECTED BY CUSTOMER

OPCIONALES / OPTIONS

LINEA/LIGNE/PHASE 230 V....
NEUTRO/NEUTRE/NEUTRAL 230 V
LINEA/LIGNE/PHASE 24 V.....
NEUTRO/NEUTRE/NEUTRAL 24 V.

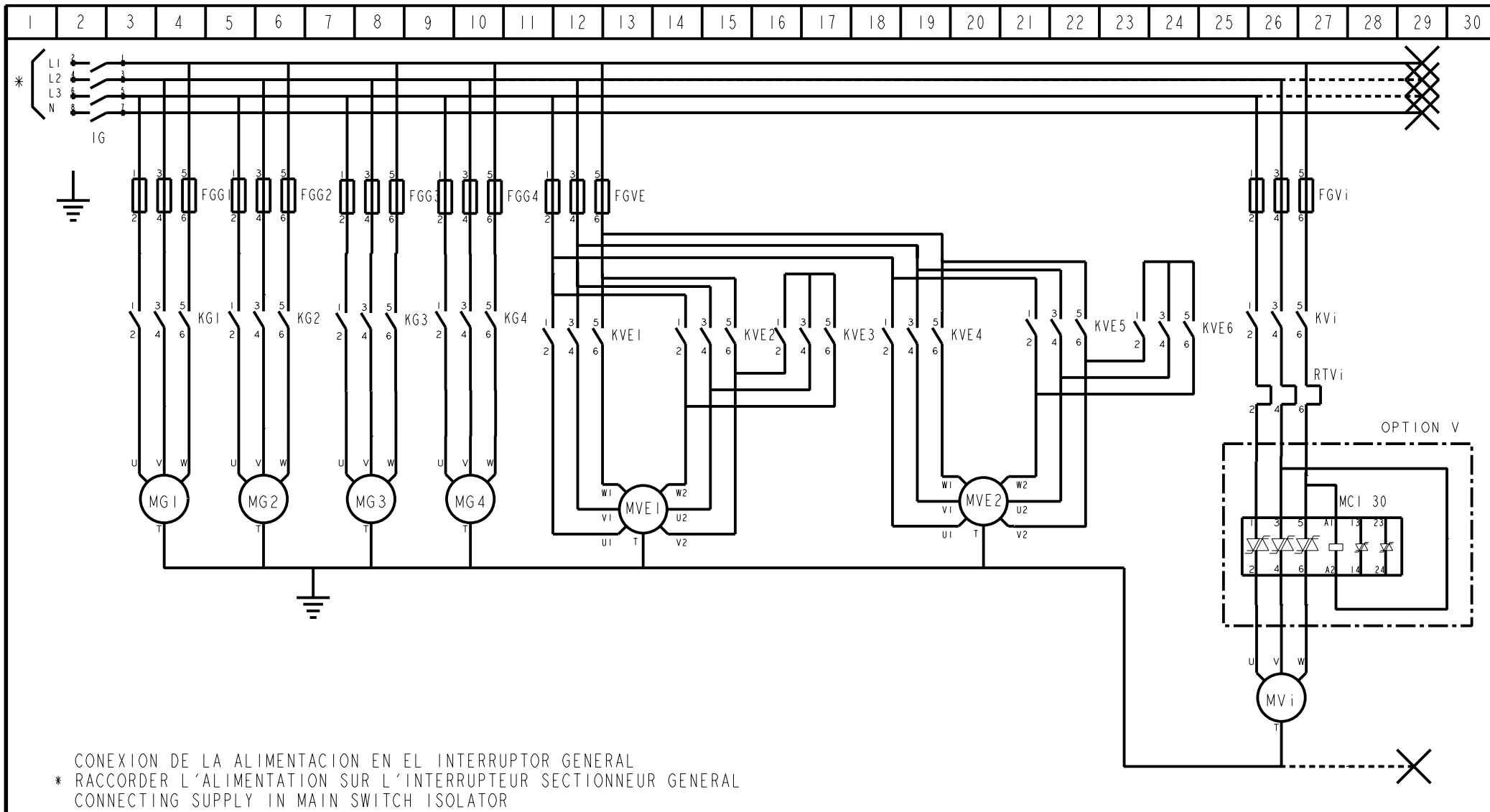
1	}	MANDO ON/OFF REMOTO ..COMMANDE ON/OFF A DISTANCE CONTROL ON/OFF REMOTE	}	PARAMETRI_UT18
2	}			
3	}	CONTACTO FALLO GENERAL ..CONTACT DEFALT GENERAL FAULT GENERAL CONTACT		
4	}			
5	}	MANDO FRIO/CALOR ..COMMANDE FROID/CHAUD CONTROL COOLING/HEATING	}	CONFIG_COS3 CERRADO_FRIO FERME----FROID CLOSE----COOLING
6	}			
7				
8				
9				
10				
11	}	CONEXION DETECTOR DE HUMO RACCORDÉMENT DETECTEUR DE FUMÉES CONNECTION SMOKE DETECTOR	}	OPTION S
12	}			
13	}			
14				
15	}	CONEXION Sonda TEMP. AMBIENTE RACCORDÉMENT SONDE TEMP. D'AMBIANCE CONNECTION AMBIENT TEMP. SENSOR	}	OPTION J-K
16	}			
17	}	CONEXION VALVULA AGUA CALIENTE RACCORDÉMENT VANNE EAU CHAUDE CONNECTION HOT WATER VALVE	}	OPTION O
18	}			
19	}	CONEXION BOMBA AGUA CALIENTE RACCORDÉMENT POMPE EAU PUMP CONNECTION HOT WATER VALVE		
20				
21	}	CONEXION Sonda O REGULADOR CO2 + VOC RACCORDÉMENT SONDE O CONTRÔLEUR CO2 + VOC CONNECTION SENSOR OR REGULATOR CO2 + VOC	}	OPTION C-D
22	}			
23				
24	}	CONEXION Sonda HUMEDAD INTERIOR RACCORDÉMENT SONDE HUMIDITE INTERIEURE CONNECTION INTERNAL HUMIDITY SENSOR	}	OPTION B
25	}			
26	}	CONEXION Sonda HUMEDAD EXTERIOR RACCORDÉMENT SONDE HUMIDITE EXTERIEURE CONNECTION EXTERNAL HUMIDITY SENSOR		
27				
28	}			OPTION C-D-S-T
29				

<p>A - FREECOOLING TERMICO FREECOOLING THERMIQUE THERMAL FREECOOLING</p> <p>B - FREECOOLING ENTALPICO FREECOOLING ENTHALPIQUE ENTHALPY FREECOOLING</p> <p>C - SENSOR CALIDAD AIRE CONDUCTO SONDE QUALITÉ GAINÉ D'AIR AIR QUALITY SENSOR FOR DUCT</p> <p>D - SENSOR CALIDAD AIRE AMBIENTE SONDE QUALITÉ AIR AMBIANCE AIR QUALITY SENSOR FOR AMBIENT</p> <p>E - MANDO COMPATIDO REMOTO COMMANDE PARTAGÉ LOCAL REMOTE SHARE CONTROL</p> <p>F - MANDO PRIVADO LOCAL COMMANDE PRIVÉ LOCAL LOCAL PRIVATE CONTROL</p> <p>H - PROGRAMACION HORARIA HORLOGE TIMER</p> <p>I - TARJETA SERIAL RS485 CARTE SERIAL RS485 RS485 SERIAL</p> <p>J - Sonda TEMP. DE AMBIENTE SONDE TEMP. D'AMBIANCE AMBIENT TEMP. SENSOR</p> <p>K - Sonda T+H DE AMBIENTE SONDE T+H D'AMBIANCE AMBIENT T+H HSENSOR</p>	<p>L - VENTILADOR RETORNO AXIAL VENTILATEUR DE REPRISE AXIAL RETURN AXIAL FAN</p> <p>M - VENTILADOR RETORNO CENTRIFUGO VENTILATEUR DE REPRISE CENTRIFUGE RETURN CENTRIFUGAL FAN</p> <p>N - RESISTENCIAS ELECTRICAS BATTERIES ELECTRIQUES ELECTRIC COIL</p> <p>O - BATERIA AGUA CALIENTE BATTERIE EAU CHAUDE HOT WATER COIL</p> <p>Q - CONTROL CAUDAL DE AIRE CONTROLE DEBIT D'AIR AIR FLOW CONTROL</p> <p>R - DETECTOR FILTRO SUCIO ENCRASSEMENT FILTRES FILTER CLOGGING</p> <p>S - DETECTOR DE HUMOS DETECTION DE FUMÉES SMOKE DETECTION</p> <p>T - THERMOSTATO ANTIINCENDIO THERMOSTAT INCENDIE FIRE THERMOSTAT</p> <p>U - FUNCIONAMIENTO ANUAL (PCA) OPERATION TOUT L'ANNE (PCA) ALL YEAR OPERATION (PCA)</p> <p>V - ARRANCADOR PROGRESIVO DEMARREUR PROGRESSIF PROGRESIVE STARTER</p>
---	---

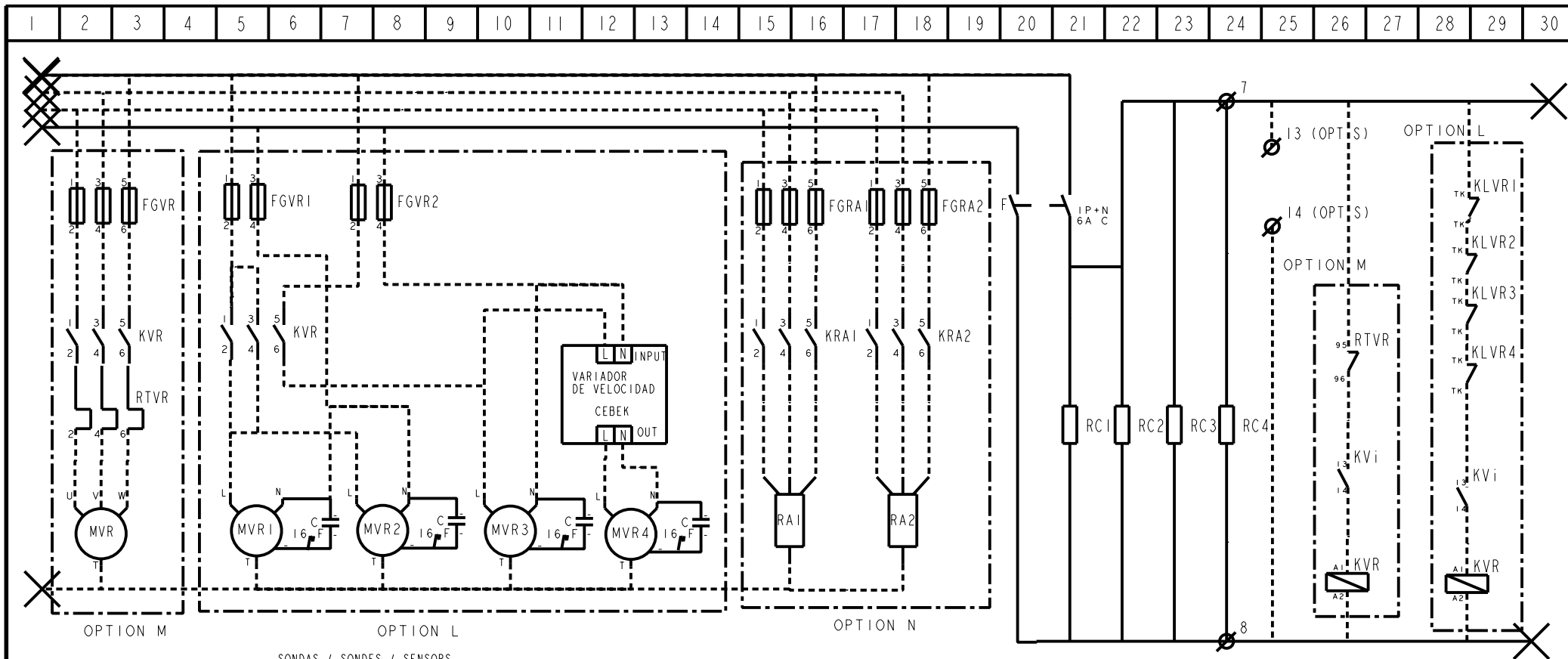
30	}	CONEXION Sonda CALIDAD AIRE RACCORDÉMENT SONDE QUALITÉ D'AIR CONNECTION AIR QUALITY SENSOR	}	OPTION C-D (CON CO2 + VOC)
31	}			
32	}			
33				

SERVOMOTOR
SERVOMOTEUR
SEVOENGINE.....
SEÑAL/SIGNAL 0...10 VDC

MODIFICADO POR: MODIFIÉ PAR: MODIFIED BY:	F.R.B.	FECHA: DATE: DATE:	23/02/05	SERIE : IPC	MODELO: MODELE:	510/570 -	BOMBA DE CALOR AIRE-AIRE COMPACTA DE EXTERIOR ROOF-TOP REGULACION PCOC	4 COMPRESORES/2 CIRCUITOS 4 COMPRESSEURS/2 CIRCUITS 4 COMPRESSORS/2 CIRCUITS	
MODIFICACION: MODIFICATION:	-			v° B°	NP:	-	POMPE A CHALEUR AIR-AIR COMPACTE D'EXTERIEUR TYPE ROOF-TOP REGULATION PCOC.	PAGINA PAGE	TENSION VOLTAGE
SUSTITUYE A: REPLACE: TAKE:	-	SUSTITUIDO POR: REPLACÉ PAR: TAKE BY:	-	CIATESA	NF:	-	OUTSIDE COMPACT AIR TO AIR HEAT PUMP UNIT. ROOF-TOP PCOC CONTROL.	1/13	400/3/50



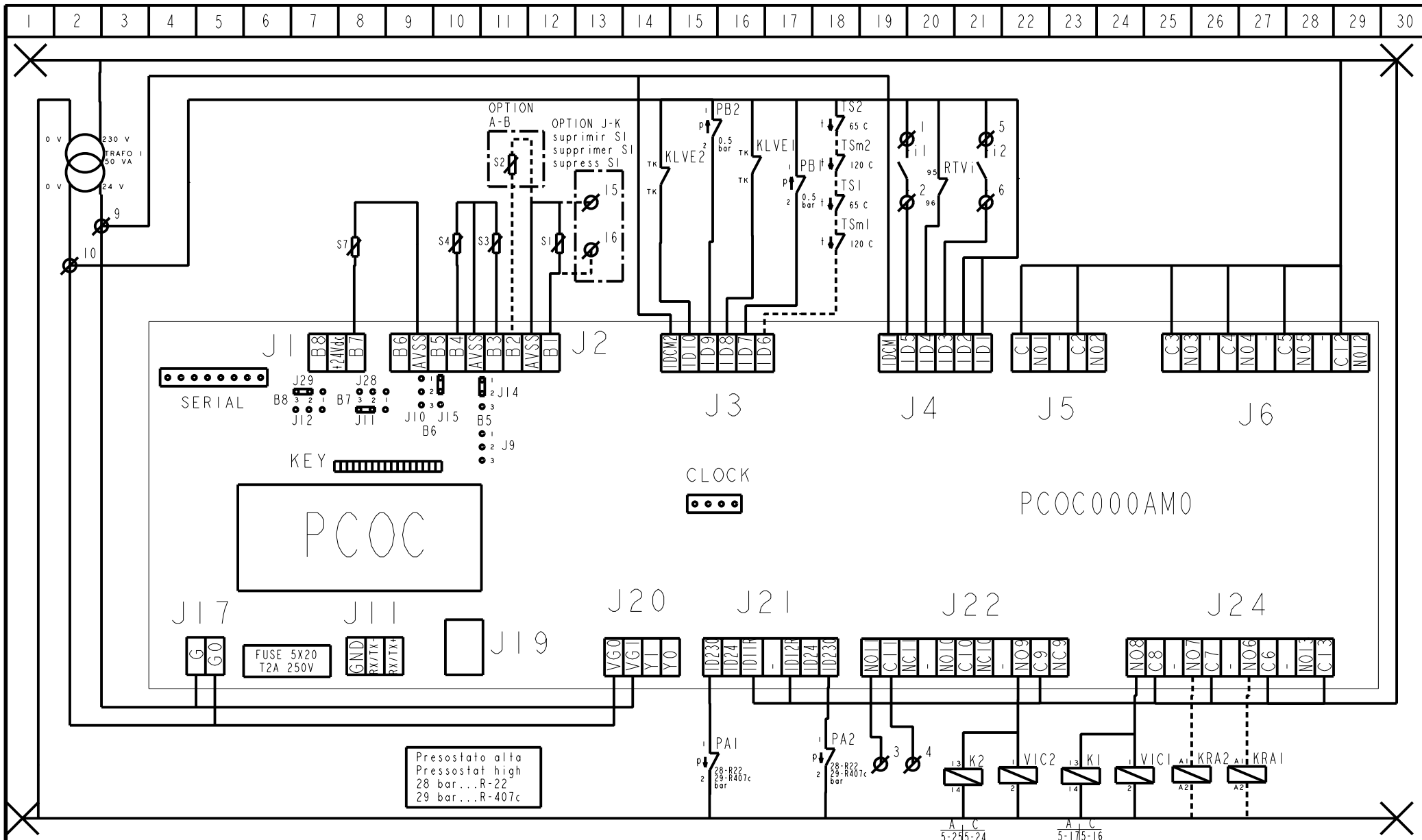
MODIFICADO POR: MODIFIÉ PAR: MODIFIED BY:	F.R.B.	FECHA: DATE: DATE:	23/02/05	SERIE :	IPC	MODELO: MODELE:	510/570 -	BOMBA DE CALOR AIRE-AIRE COMPACTA DE EXTERIOR ROOF-TOP REGULATION PCOC	4 COMPRESORES/2 CIRCUITOS 4 COMPRESSEURS/2 CIRCUITS 4 COMPRESSORS/2 CIRCUITS	
MODIFICACION: MODIFICATION:	-			V° B°		NP:	-	POMPE A CHALEUR AIR-AIR COMPACTE D'EXTERIEUR TYPE ROOF-TOP REGULATION PCOC.	PAGINA PAGE	TENSION VOLTAGE
SUSTITUYE A: REPLACE: TAKE:	-	SUSTITUIDO POR: REPLACÉ PAR: TAKE BY:	-	CIATESA		NF:	-	OUTSIDE COMPACT AIR TO AIR HEAT PUMP UNIT. ROOF-TOP PCOC CONTROL.	2/13	400/3/50



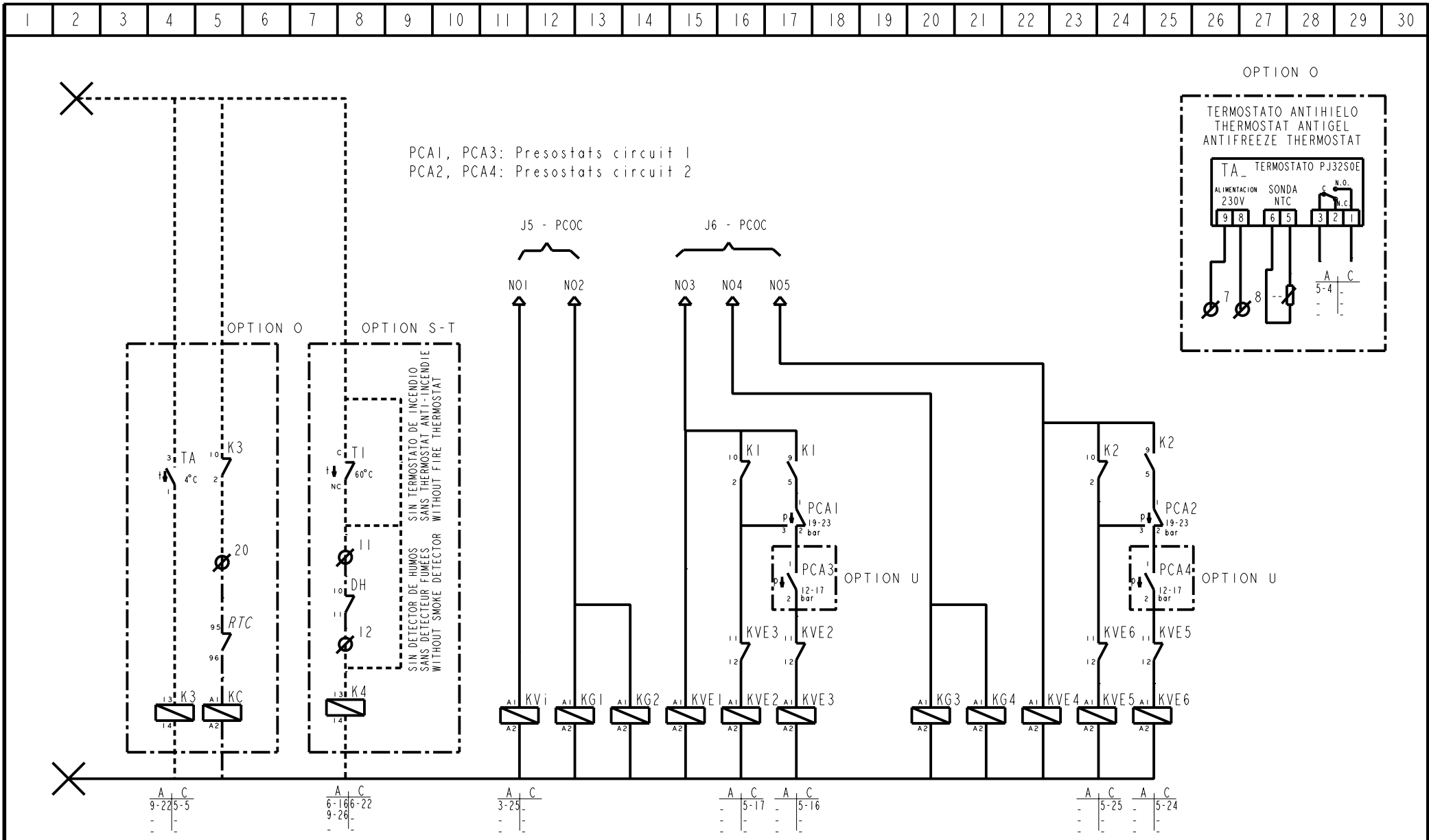
SONDAS / SONDES / SENSORS

S 1	AIRE RETORNO	AIR DE REPRIS	RETURN AIR
S 2	AIRE EXTERIOR (OPCION A-B)	AIR EXTERIEUR (OPTION A-B)	EXTERNAL AIR (OPTION A-B)
S 3	BATERIA CONDENSADORA 1	BATTERIE CONDENSEUR 1	EXTERNAL COIL REFRIGERANT 1
S 4	BATERIA CONDENSADORA 2	BATTERIE CONDENSEUR 2	EXTERNAL COIL REFRIGERANT 2
S 5	HUMEDAD RELATIVA INT (OPCION B)	HUMIDITE RELATIVE INT (OPTION B)	INT RELATIVE HUMIDITY (OPTION B)
S 6	HUMEDAD RELATIVA EXT (OPCION B)	HUMIDITE RELATIVE EXT (OPTION B)	EXT RELATIVE HUMIDITY (OPTION B)
S 7	AIRE IMPULSION	AIR DE SOUFFLAGE	DISCHARGE AIR
S 8	CALIDAD DE AIRE (OPCION C-D)	QUALITE D'AIR (OPTION C-D)	AIR QUALITY (OPTION C-D)
S 9	AIRE TEMP. AMBIENTE (OPCION J)	AIR TEMP. D'AMBIANCE (OPTION J)	AMBIENT TEMP. AIR (OPTION J)
S 10	AIRE AMBIENTE T+H (OPCION K)	AIR D'AMBIANCE T+H (OPTION K)	AMBIENT AIR T+H (OPTION K)

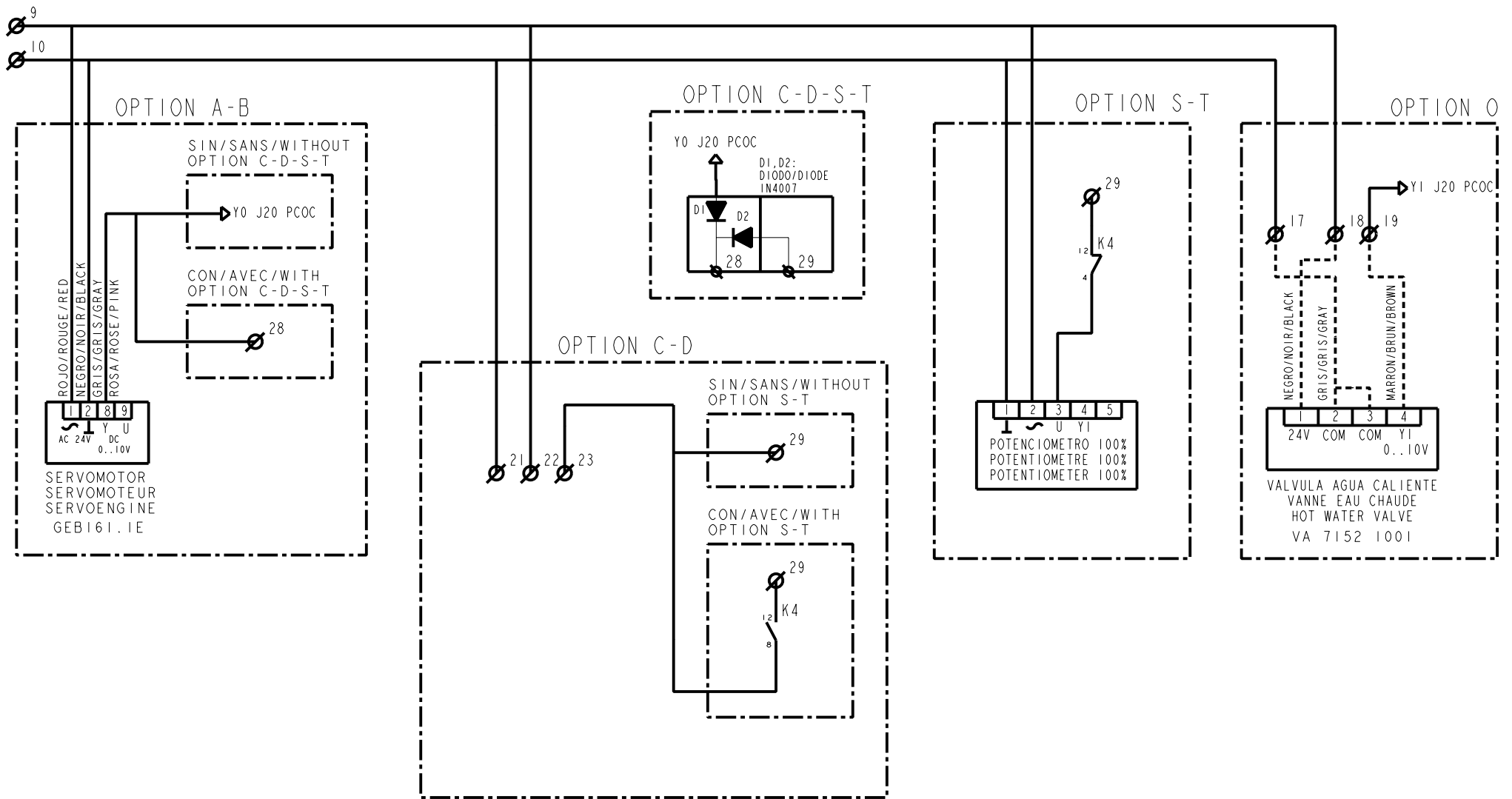
MODIFICADO POR: MODIFIE PAR: MODIFIED BY:	F.R.B.	FECHA: DATE: DATE:	23/02/05	SERIE :	IPC	MODELO: MODELE:	510/570 -	BOMBA DE CALOR AIRE-AIRE COMPACTA DE EXTERIOR ROOF-TOP REGULACION PCOC	4 COMPRESORES/2 CIRCUITOS 4 COMPRESSEURS/2 CIRCUITS 4 COMPRESSORS/2 CIRCUITS	
MODIFICACION: MODIFICATION:	-			V° B°		NP:	-	POMPE A CHALEUR AIR-AIR COMPACTE D'EXTERIEUR TYPE ROOF-TOP REGULATION PCOC.	PAGINA PAGE	TENSION VOLTAGE
SUSTITUYE A: REPLACE: TAKE:	-	SUSTITUIDO POR: REPLACÉ PAR: TAKE BY:	-	CIATESA		NF:	-	OUTSIDE COMPACT AIR TO AIR HEAT PUMP UNIT. ROOF-TOP PCOC CONTROL.	3/13	400/3/50



MODIFICADO POR: MODIFIÉ PAR: MODIFIED BY:	F.R.B.	FECHA: DATE:	23/02/05	SERIE :	IPC	MODELO: MODELE:	510/570	BOMBA DE CALOR AIRE-AIRE COMPACTA DE EXTERIOR ROOF-TOP REGULACION PCOC	4 COMPRESORES/2 CIRCUITOS 4 COMPRESSEURS/2 CIRCUITS	
MODIFICACION: MODIFICATION:	-			v° B°		NP:	-	POMPE A CHALEUR AIR-AIR COMPACTE D'EXTERIEUR TYPE ROOF-TOP REGULATION PCOC.	PAGINA PAGE	TENSION VOLTAGE
SUSTITUYE A: REPLACE: TAKE:	-	SUSTITUIDO POR: REPLACÉ PAR: TAKE BY:	-	CIATESA			NF:	OUTSIDE COMPACT AIR TO AIR HEAT PUMP UNIT. ROOF-TOP PCOC CONTROL.	4/13	400/3/50

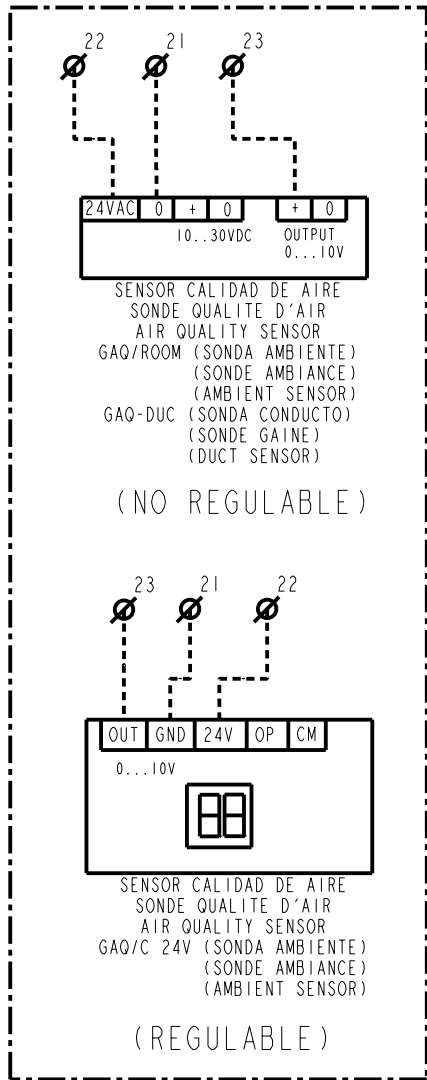


MODIFICADO POR: MODIFIÉ PAR: MODIFIED BY:	F.R.B.	FECHA: DATE: DATE:	23/02/05	SERIE :	IPC	MODELO: MODELE:	510/570 -	BOMBA DE CALOR AIRE-AIRE COMPACTA DE EXTERIOR ROOF-TOP REGULACION PCOC	4 COMPRESORES/2 CIRCUITOS 4 COMPRESSEURS/2 CIRCUITS 4 COMPRESSORS/2 CIRCUITS		
MODIFICACION: MODIFICATION:	-			V° B°		NP:	-	POMPE A CHALEUR AIR-AIR COMPACTE D'EXTERIEUR TYPE ROOF-TOP REGULATION PCOC.	PAGINA PAGE	TENSION VOLTAGE	
SUSTITUYE A: REPLACE: TAKE:	-	SUSTITUIDO POR: REPLACÉ PAR: TAKE BY:	-	CIATESA			NF:	-	OUTSIDE COMPACT AIR TO AIR HEAT PUMP UNIT. ROOF-TOP PCOC CONTROL.	5/13	400/3/50

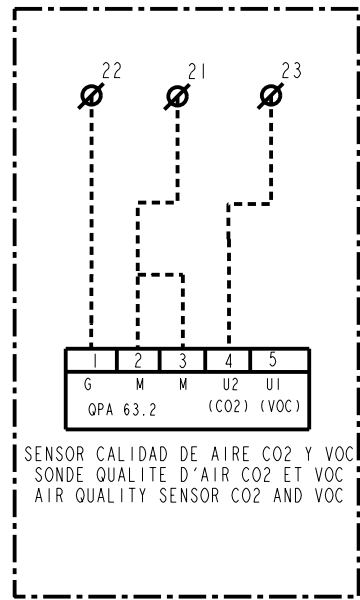


MODIFICADO POR: MODIFIÉ PAR: MODIFIED BY:	F.R.B.	FECHA: DATE: DATE:	23/02/05	SERIE : IPC	MODELO: MODELE:	510/570 -	BOMBA DE CALOR AIRE-AIRE COMPACTA DE EXTERIOR ROOF-TOP REGULACION PCOC	4 COMPRESORES/2 CIRCUITOS 4 COMPRESSEURS/2 CIRCUITS 4 COMPRESSORS/2 CIRCUITS	
MODIFICACION: MODIFICATION:	- -	V° B°		CIATESA	NP:	-	POMPE A CHALEUR AIR-AIR COMPACTE D'EXTERIEUR TYPE ROOF-TOP REGULATION PCOC.	PAGINA PAGE	TENSION VOLTAGE
SUSTITUYE A: REPLACE: TAKE:	-	SUSTITUIDO POR: REPLACÉ PAR: TAKE BY:	-		NF:	-	OUTSIDE COMPACT AIR TO AIR HEAT PUMP UNIT. ROOF-TOP PCOC CONTROL.	6/13	400/3/50

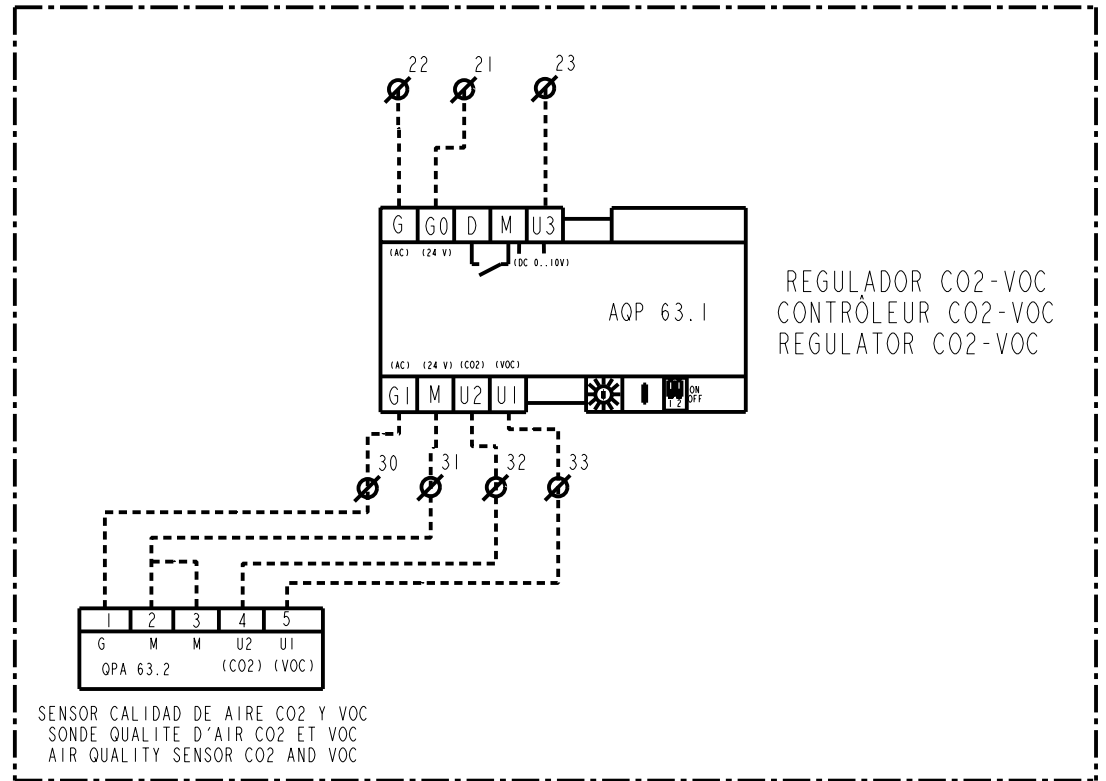
OPTION C-D CON VOC



OPTION C-D CON CO2

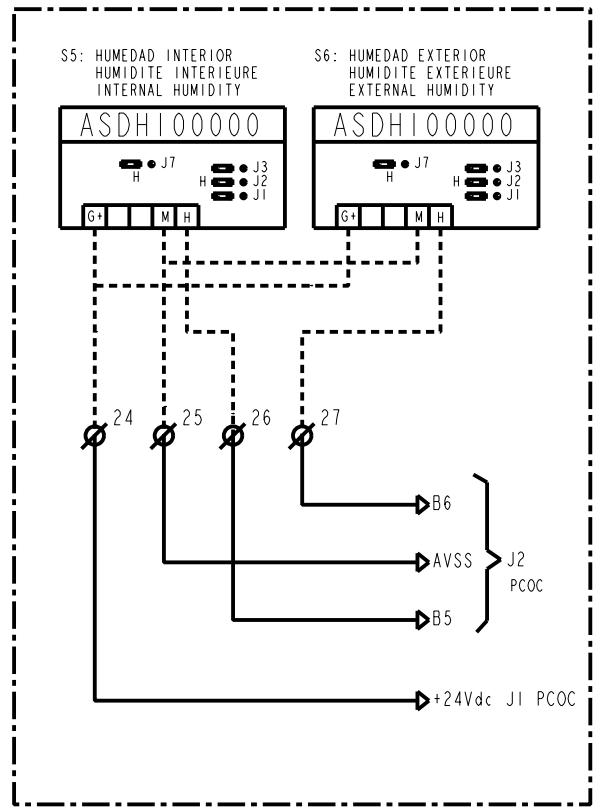


OPTION C-D CON CO2 + VOC

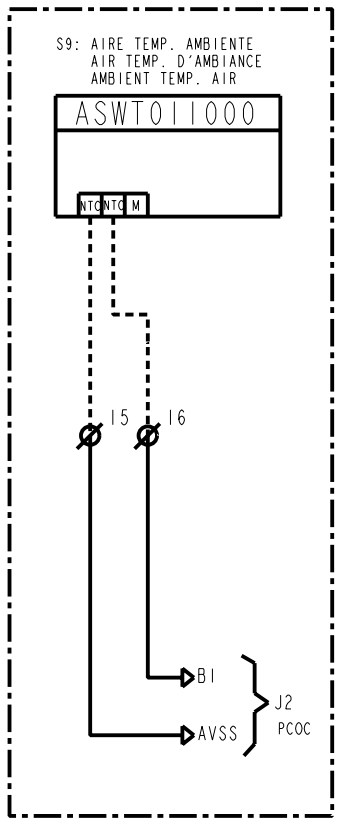


MODIFICADO POR: MODIFIÉ PAR: MODIFIED BY:	F.R.B.	FECHA: DATE: DATE:	23/02/05	SERIE :	IPC	MODELO: MODELE:	510/570 -	BOMBA DE CALOR AIRE-AIRE COMPACTA DE EXTERIOR ROOF-TOP REGULATION PCOC	4 COMPRESORES/2 CIRCUITOS 4 COMPRESSEURS/2 CIRCUITS 4 COMPRESSORS/2 CIRCUITS	
MODIFICACION: MODIFICATION:	- -			V° B°		NP:	-	POMPE A CHALEUR AIR-AIR COMPACTE D'EXTERIEUR TYPE ROOF-TOP REGULATION PCOC.	PAGINA PAGE	TENSION VOLTAGE
SUSTITUYE A: REPLACE: TAKE:	-	SUSTITUIDO POR: REPLACÉ PAR: TAKE BY:	-	CIATESA		NF:	-	OUTSIDE COMPACT AIR TO AIR HEAT PUMP UNIT. ROOF-TOP PCOC CONTROL.	7/13	400/3/50

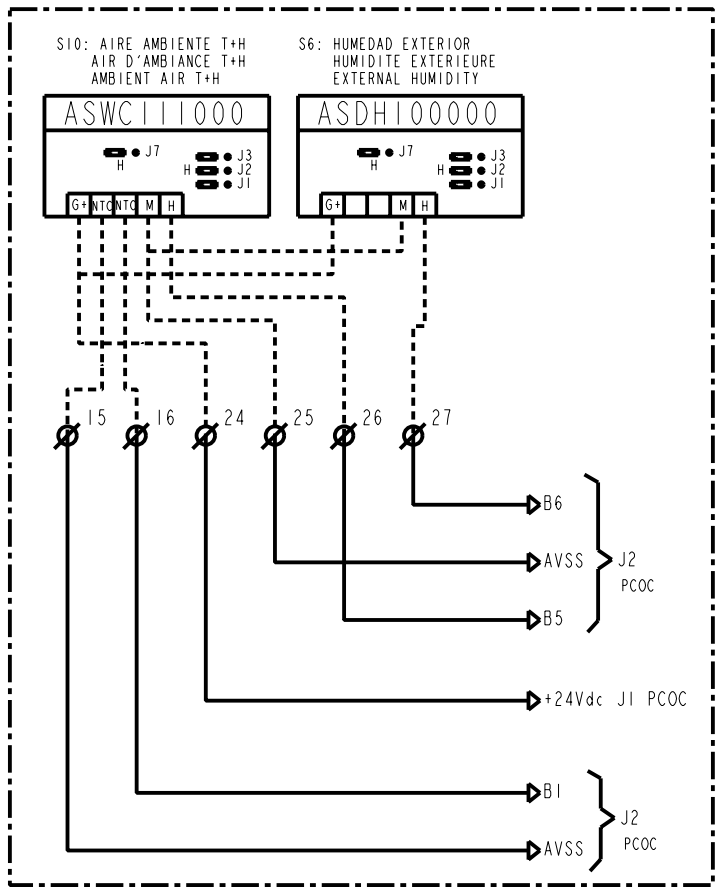
OPTION B



OPTION J



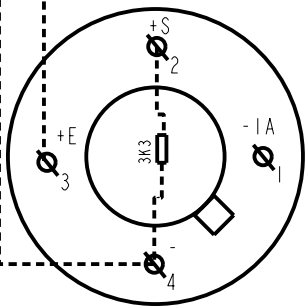
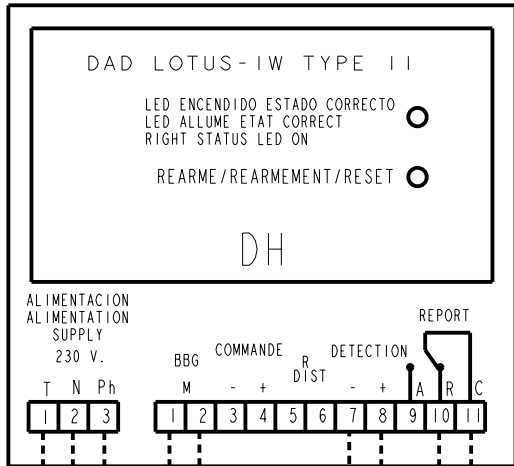
OPTION B + K



MODIFICADO POR: MODIFIED BY:	F.R.B.	FECHA: DATE:	23/02/05	SERIE :	IPC	MODELO: MODELE:	510/570 -	BOMBA DE CALOR AIRE-AIRE COMPACTA DE EXTERIOR ROOF-TOP REGULACION PCOC	4 COMPRESORES/2 CIRCUITOS 4 COMPRESSEURS/2 CIRCUITS 4 COMPRESSORS/2 CIRCUITS	
MODIFICACION: MODIFICATION:	-			v° B°		NP :	-	POMPE A CHALEUR AIR-AIR COMPACTE D'EXTERIEUR TYPE ROOF-TOP REGULATION PCOC.	PAGINA PAGE	TENSION VOLTAGE
SUSTITUYE A: REPLACE: TAKE:	-	SUSTITUIDO POR: REPLACÉ PAR: TAKE BY:	-	CIATESA		NF :	-	OUTSIDE COMPACT AIR TO AIR HEAT PUMP UNIT. ROOF-TOP PCOC CONTROL.	8/13	400/3/50

OPTION S

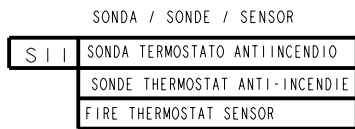
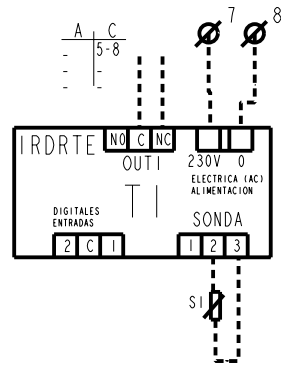
DH: CENTRAL DETECCION HUMOS
 DH: CENTRAL DETECTEUR DE FUMMEE
 DH: SMOKE DETECTION CENTRAL



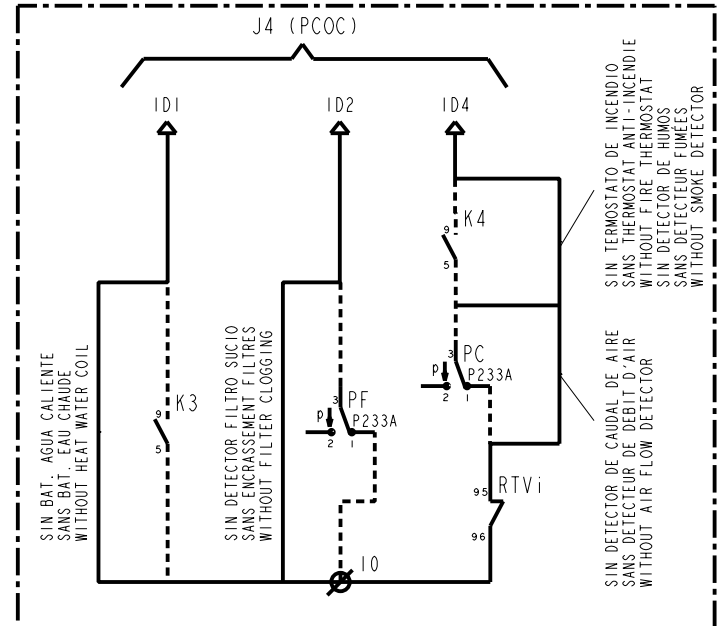
SONDA DETECTOR DE HUMOS MODELO FI
 SONDE DETECTEUR DE FUMÉES MODELE FI
 SMOKE DETECTOR SENSOR MODELE FI

OPTION T

TI: TERMOSTATO ANTIINCENDIO
 TI: THERMOSTAT ANTI-INCENDIE
 TI: FIRE THERMOSTAT



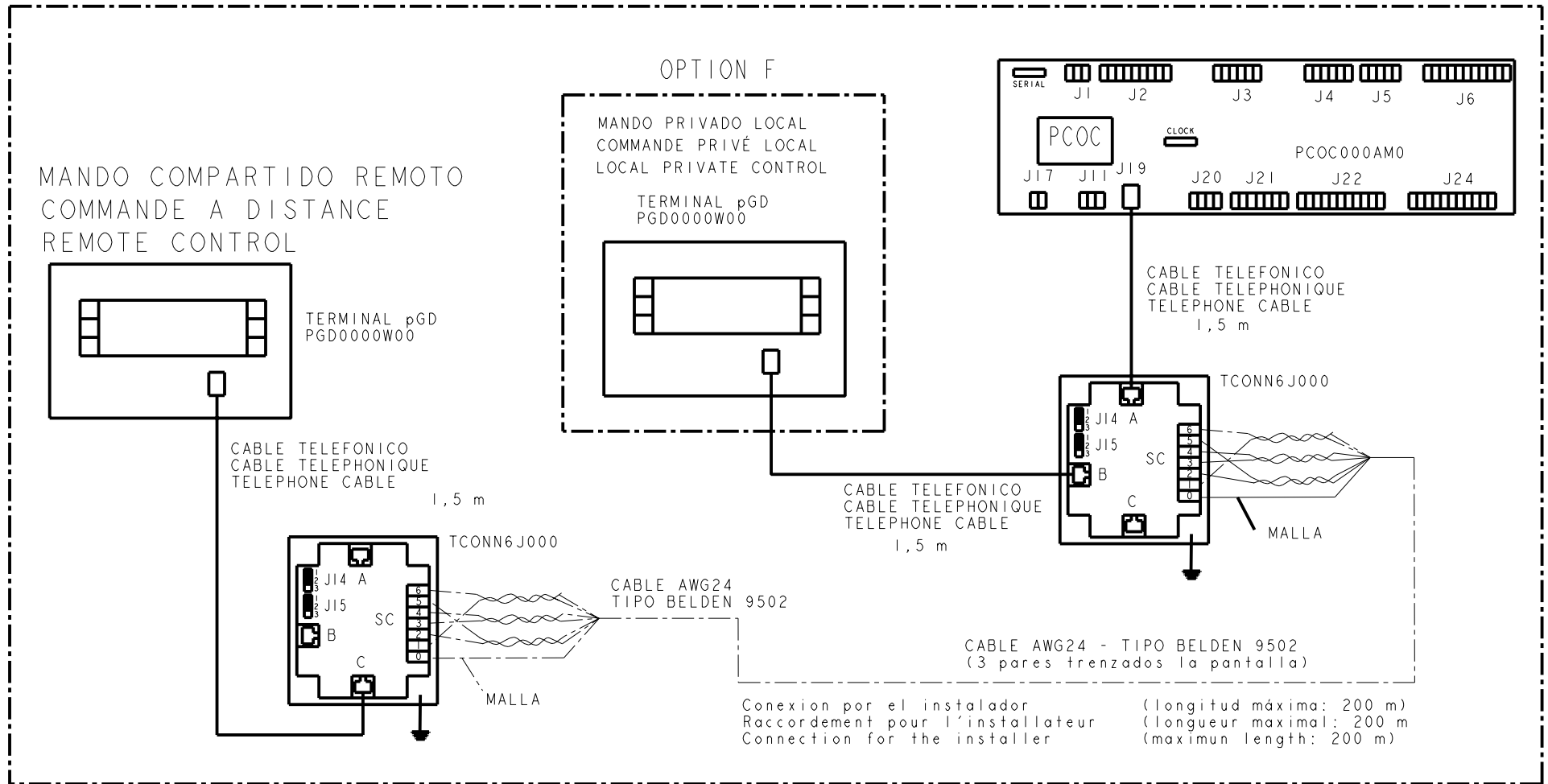
OPTION O-Q-R-S-T



TA	TERMOSTATO ANTIHIELO	THERMOSTAT ANTIGEL	ANTI FROST THERMOSTAT
TI	TERMOSTATO DE INCENDIO	THERMOSTAT ANTI-INCENDIE	FIRE THERMOSTAT
DH	DETECTOR DE HUMOS	DETECTEUR DE FUMÉES	SMOKE DETECTOR
PF	PRESOSTATO FILTRO	PRESSOSTAT FILTRE ENCRASSÉ	FILTER CLOGGING PRESSOSTAT
PC	PRESOSTATO CAUDAL DE AIRE	PRESSOSTAT DEBIT D'AIR	AIR FLOW PRESSOSTAT

MODIFICADO POR: MODIFIÉ PAR: MODIFIED BY:	F.R.B.	FECHA: DATE: DATE:	23/02/05	SERIE :	IPC	MODELO: MODELE:	510/570 -	BOMBA DE CALOR AIRE-AIRE COMPACTA DE EXTERIOR ROOF-TOP REGULACION PCOC	4 COMPRESORES/2 CIRCUITOS 4 COMPRESSEURS/2 CIRCUITS 4 COMPRESSORS/2 CIRCUITS	
MODIFICACION: MODIFICATION:	-			v° B°		NP:	-	POMPE A CHALEUR AIR-AIR COMPACTE D'EXTERIEUR TYPE ROOF-TOP REGULATION PCOC.	PAGINA PAGE	TENSION VOLTAGE
SUSTITUYE A: REPLACE: TAKE:	-	SUSTITUIDO POR: REPLACÉ PAR: TAKE BY:	-	CIATESA			NF:	OUTSIDE COMPACT AIR TO AIR HEAT PUMP UNIT. ROOF-TOP PCOC CONTROL.	9/13	400/3/50

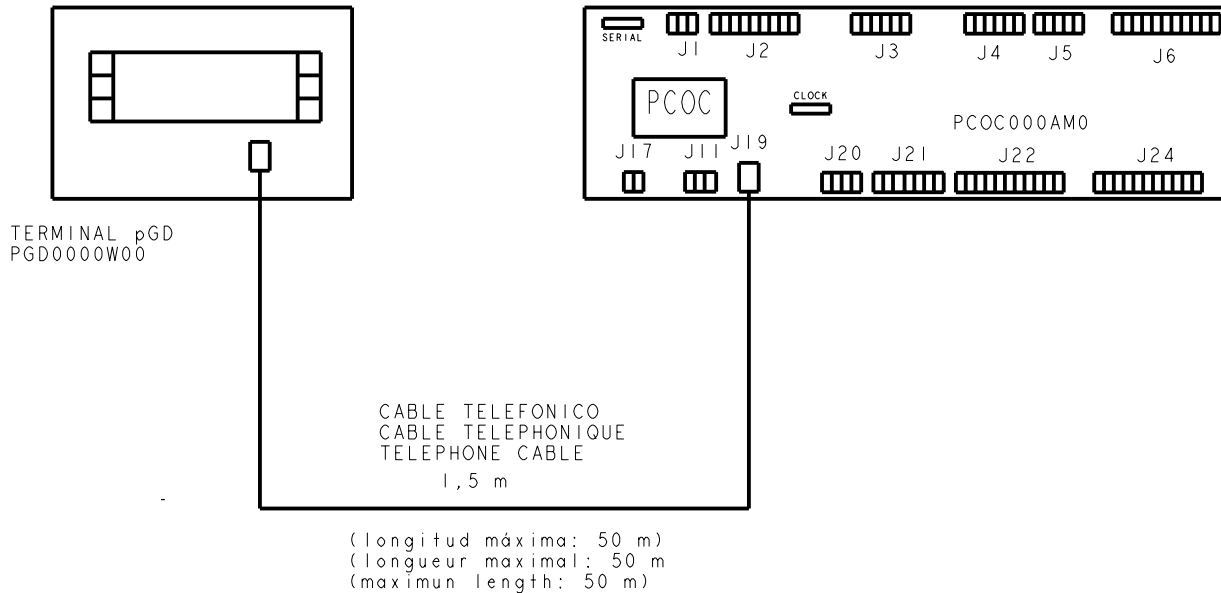
OPTION E



MODIFICADO POR: MODIFIED BY:	F.R.B.	FECHA: DATE:	23/02/05	SERIE :	IPC	MODELO: MODELE:	510/570 -	BOMBA DE CALOR AIRE-AIRE COMPACTA DE EXTERIOR ROOF-TOP REGULACION PCOC	4 COMPRESORES/2 CIRCUITOS 4 COMPRESSEURS/2 CIRCUITS 4 COMPRESSORS/2 CIRCUITS	
MODIFICACION: MODIFICATION:	-			v° B°		NP:	-	POMPE A CHALEUR AIR-AIR COMPACTE D'EXTERIEUR TYPE ROOF-TOP REGULATION PCOC.	PAGINA PAGE	TENSION VOLTAGE
SUSTITUYE A: REPLACE: TAKE:	-	SUSTITUIDO POR: REPLACÉ PAR: TAKE BY:	-	CIATESA			NF:	OUTSIDE COMPACT AIR TO AIR HEAT PUMP UNIT. ROOF-TOP PCOC CONTROL.	10/13	400/3/50

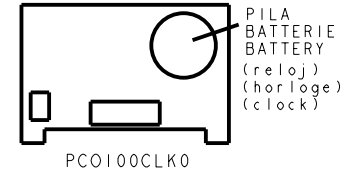
OPTION F

MANDO PRIVADO LOCAL
 COMMANDE PRIVÉ LOCAL
 LOCAL PRIVATE CONTROL



OPTION H

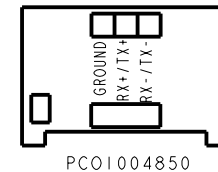
TARJETA PROGRAMACION
 DIARIA Y SEMANAL



CONEXION EN CLOCK DE PCOC
 RACCORDEMENT DANS CLOCK DE PCOC
 CONNECTION ON CLOCK OFF PCOC

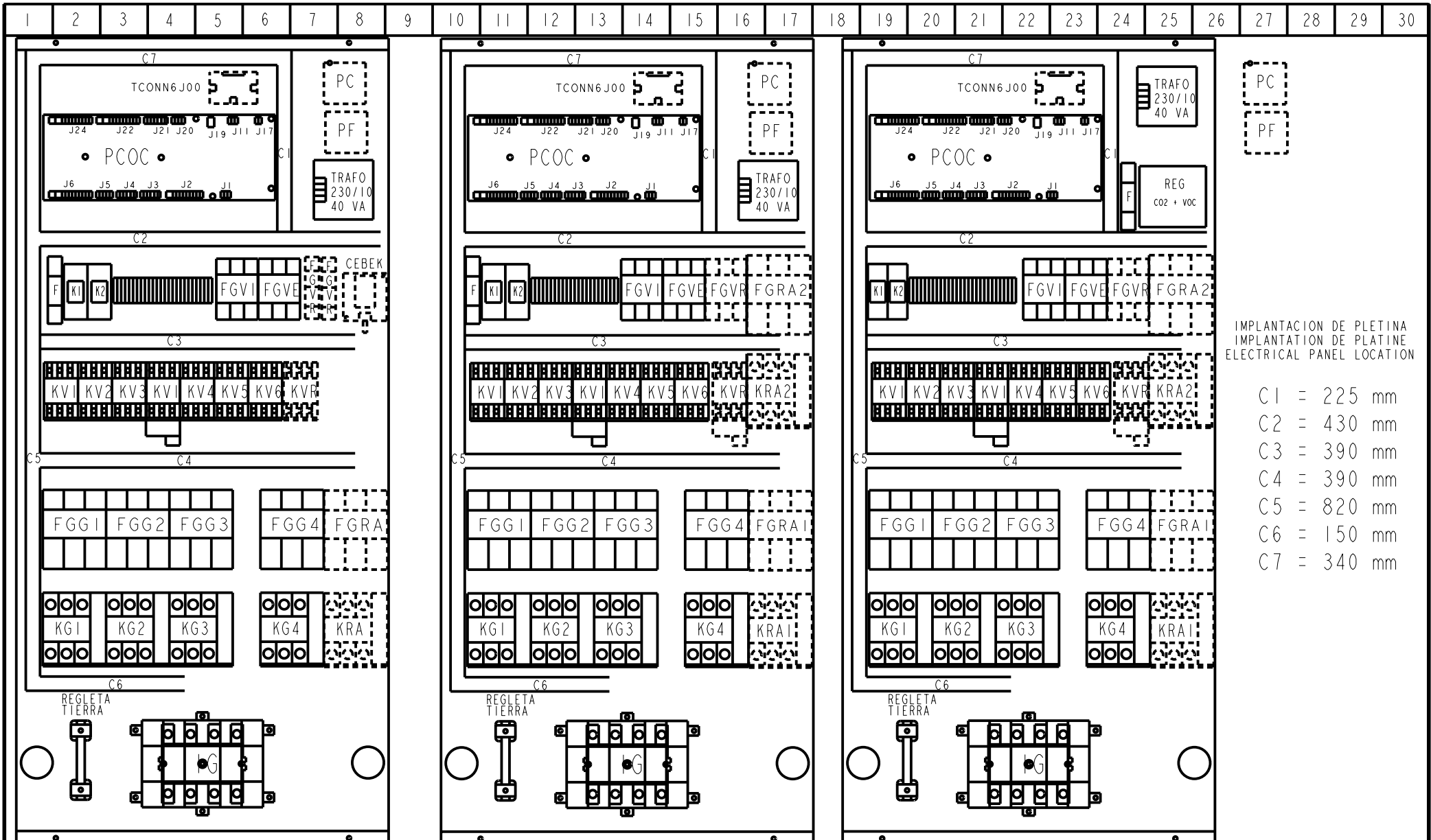
OPTION I

TARJETA COMUNICACION
 SERIAL RED 485



CONEXION EN SERIAL DE PCOC
 RACCORDEMENT DANS SERIAL DE PCOC
 CONNECTION ON SERIAL OFF PCOC

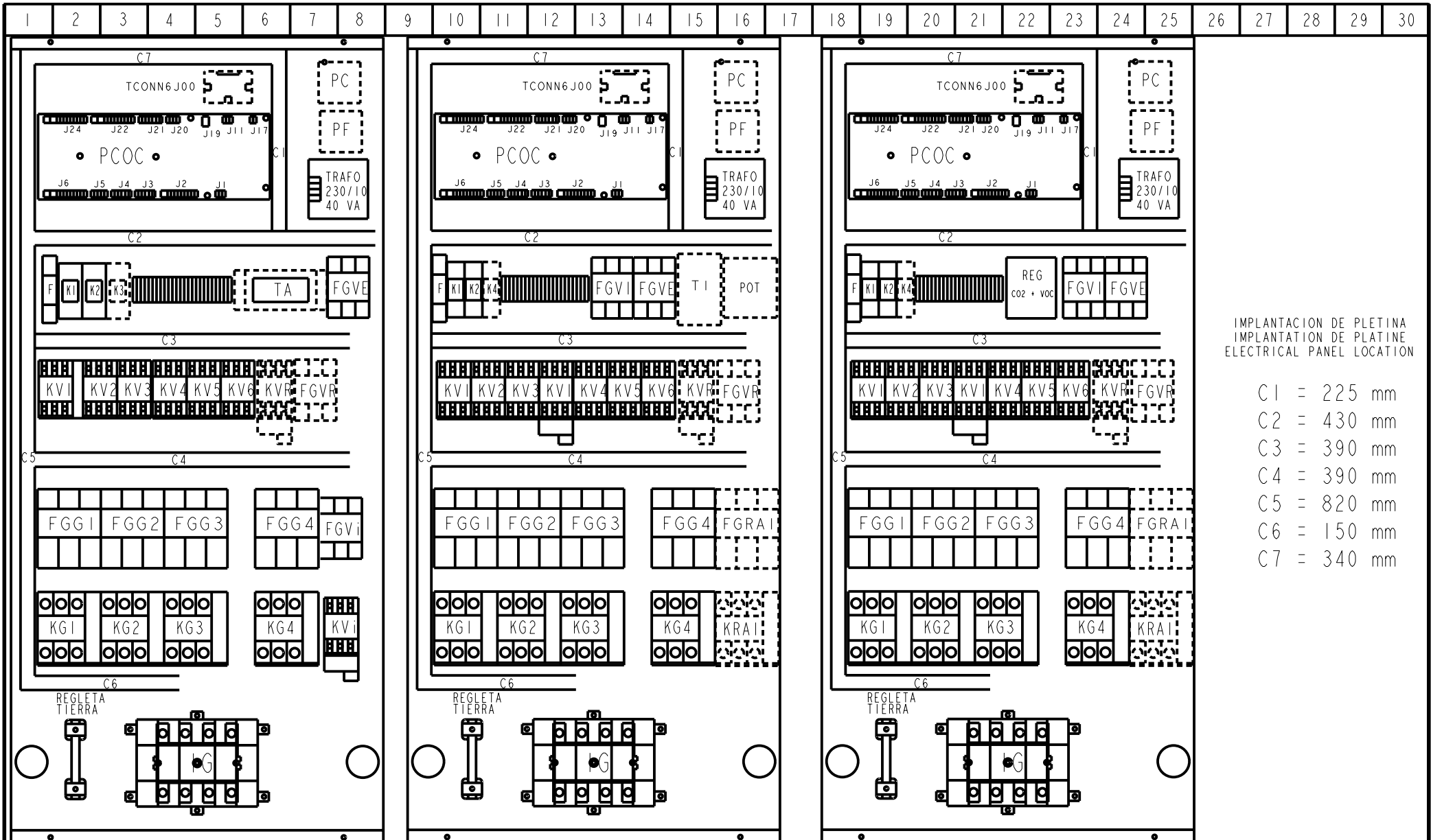
MODIFICADO POR: MODIFIÉ PAR: MODIFIED BY:	F.R.B.	FECHA: DATE: DATE:	23/02/05	SERIE : IPC	MODELO: MODELE:	510/570 -	BOMBA DE CALOR AIRE-AIRE COMPACTA DE EXTERIOR ROOF-TOP REGULACION PCOC	4 COMPRESORES/2 CIRCUITOS 4 COMPRESSEURS/2 CIRCUITS 4 COMPRESSORS/2 CIRCUITS	
MODIFICACION: MODIFICATION:	-			Vº Bº	NP:	-	POMPE A CHALEUR AIR-AIR COMPACTE D'EXTERIEUR TYPE ROOF-TOP REGULATION PCOC.	PAGINA PAGE	TENSION VOLTAGE
SUSTITUYE A: REPLACE: TAKE:	-	SUSTITUIDO POR: REPLACÉ PAR: TAKE BY:	-	CIATESA		NF:	OUTSIDE COMPACT AIR TO AIR HEAT PUMP UNIT. ROOF-TOP PCOC CONTROL.	11/13	400/3/50



IMPLANTACION DE PLETINA
 IMPLANTATION DE PLATINE
 ELECTRICAL PANEL LOCATION

- C1 = 225 mm
- C2 = 430 mm
- C3 = 390 mm
- C4 = 390 mm
- C5 = 820 mm
- C6 = 150 mm
- C7 = 340 mm

MODIFICADO POR: MODIFIÉ PAR: MODIFIED BY:	F.R.B.	FECHA: DATE: DATE:	23/02/05	SERIE :	IPC	MODELO: MODELE:	510/570 -	BOMBA DE CALOR AIRE-AIRE COMPACTA DE EXTERIOR ROOF-TOP REGULACION PCOC	4 COMPRESORES/2 CIRCUITOS 4 COMPRESSEURS/2 CIRCUITS 4 COMPRESSORS/2 CIRCUITS		
MODIFICACION: MODIFICATION:	-			V° B°		NP:	-	POMPE A CHALEUR AIR-AIR COMPACTE D'EXTERIEUR TYPE ROOF-TOP REGULATION PCOC.	PAGINA PAGE	TENSION VOLTAGE	
SUSTITUYE A: REPLACE: TAKE:	-	SUSTITUIDO POR: REPLACÉ PAR: TAKE BY:	-	CIATESA			NF:	-	OUTSIDE COMPACT AIR TO AIR HEAT PUMP UNIT. ROOF-TOP PCOC CONTROL.	12/13	400/3/50



IMPLANTACION DE PLETINA
 IMPLANTATION DE PLATINE
 ELECTRICAL PANEL LOCATION

- C1 = 225 mm
- C2 = 430 mm
- C3 = 390 mm
- C4 = 390 mm
- C5 = 820 mm
- C6 = 150 mm
- C7 = 340 mm

MODIFICADO POR: MODIFIED BY: F.R.B.		FECHA: DATE: 23/02/05		SERIE : IPC		MODELO: 510/570 MODELE: -		BOMBA DE CALOR AIRE-AIRE COMPACTA DE EXTERIOR ROOF-TOP REGULACION PCOC				4 COMPRESORES/2 CIRCUITOS 4 COMPRESSEURS/2 CIRCUITS 4 COMPRESSORS/2 CIRCUITS			
MODIFICACION: MODIFICATION: -		v° B°		CIATESA		NP: -		POMPE A CHALEUR AIR-AIR COMPACTE D'EXTERIEUR TYPE ROOF-TOP REGULATION PCOC.				PAGINA PAGE		TENSION VOLTAGE	
SUSTITUYE A: REPLACE: TAKE: -		SUSTITUIDO POR: REPLACÉ PAR: TAKE BY: -				NF: -		OUTSIDE COMPACT AIR TO AIR HEAT PUMP UNIT. ROOF-TOP PCOC CONTROL.				13/13		400/3/50	